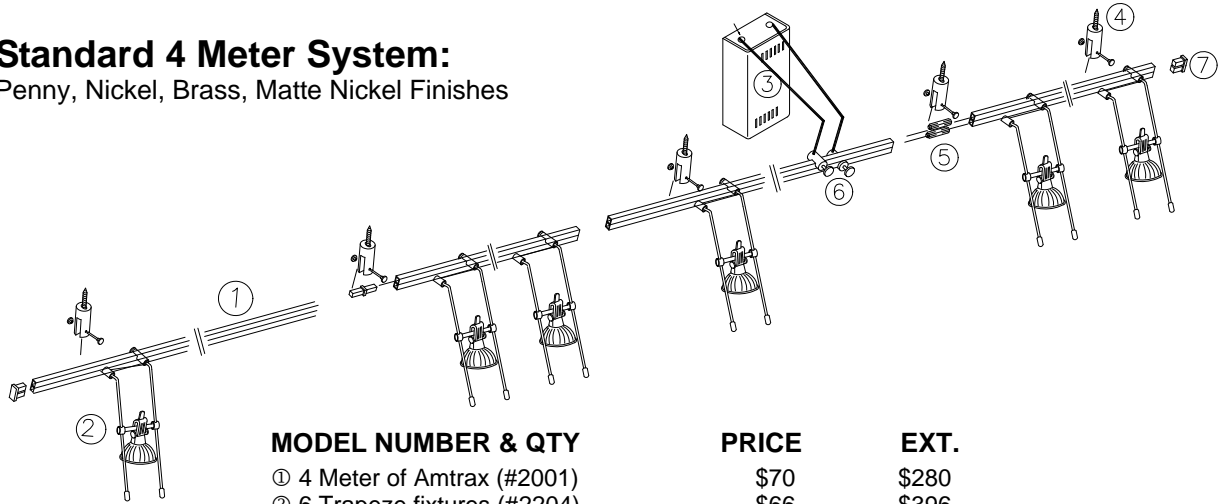


### Standard 4 Meter System:

Penny, Nickel, Brass, Matte Nickel Finishes



#### MODEL NUMBER & QTY

- ① 4 Meter of Amtrax (#2001)
  - ② 6 Trapeze fixtures (#2204)
  - ④ 5 Ceiling supports (#2101)
  - ③ 1 250W transformer (ET250)
  - ⑤ 3 Straight Connects (#2106)
  - ⑥ 1 Center Feed (#2105)
  - ⑦ 1 End Caps (#2111)
- 6 MR16 bulbs

#### PRICE

- \$70
- \$66
- \$10
- \$254
- \$13/pr
- \$23/pr
- \$5/pr
- \$9

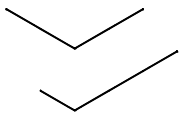
#### EXT.

- \$280
- \$396
- \$50
- \$254
- \$39
- \$23
- \$5
- \$54

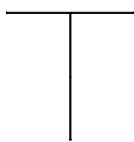
**Total: \$1091**

**Layout Options:** If you want your design to look like this, you will need:

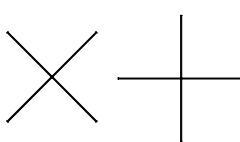
L Connector  
#2108 add \$9



T Connector  
#2107 add \$19



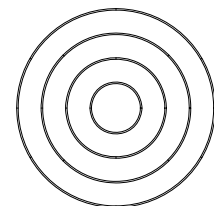
X Connector  
#2109 add \$25



"S" Curve #2020  
(\$72/meter)



2', 4', 6' or 8' diameter  
#2012, 2014, 2016 &  
2018 (\$72/meter)



### Upgrades: Mounting Options

#### Wall Mount

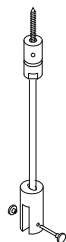


#2127 Metal Round  
Wall Support. Add \$125



#2103 Rectangular  
Wall Support. Save \$5

#### Ceiling Mount



Ceiling Support w/ cable mount  
#2101 w/ #2102. Add \$75



Metal Ceiling  
Support #2115.  
Add \$185



Metal Hanging Ceiling  
Support #2121 with #2116  
requires #2122. Add \$350

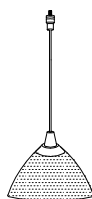
### Upgrades: Fixture Options



Swing #2202.  
Add \$22 ea.



Galleria #2206.  
Add \$31 ea.



Coaxial Pendant  
#1030 w/ Starlight  
Cone #H2843.  
(#2113 required)  
Add \$116 ea.



Radar II #1012  
with Glass  
Beveled Cone  
#6103. (#2113  
required) Add  
\$119 ea.

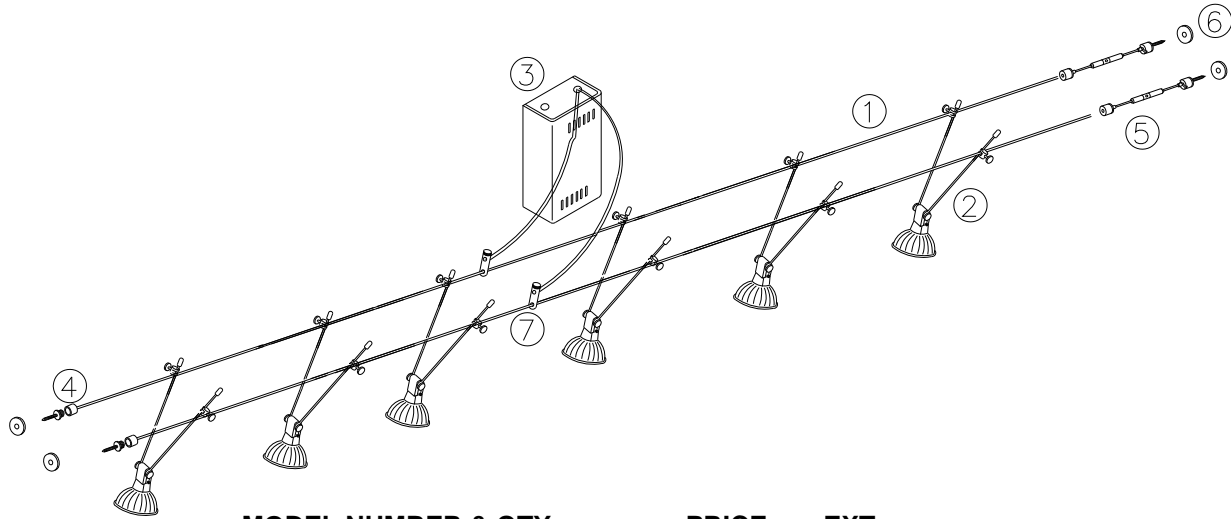


Saturn II #1002  
with Super Hood  
#6522. (#2133  
required) Add  
\$89 ea.

Pricing & specifications subject to change without notice.

### Standard 15 Foot System:

Penny, Nickel, Brass, Matte Nickel Finishes



#### MODEL NUMBER & QTY

- ① ByLine Cable 15 foot x2 (#3002)
- ② 6 Short Leg fixture (#3201)
- ③ 1 250 Watt transformer (ET250)
- ④ 2 Dead End Connector (#3104)
- ⑤ 2 Tension Device (#3103)
- ⑥ 4 Goof Plate (#3115)
- ⑦ 1 Cable Feed (#3111)

MODEL NUMBER & QTY	PRICE	EXT.
① ByLine Cable 15 foot x2 (#3002)	\$4/foot	\$120
② 6 Short Leg fixture (#3201)	\$33	\$198
③ 1 250 Watt transformer (ET250)	\$254	\$254
④ 2 Dead End Connector (#3104)	\$12	\$24
⑤ 2 Tension Device (#3103)	\$28	\$56
⑥ 4 Goof Plate (#3115)	\$6	\$24
⑦ 1 Cable Feed (#3111)	\$26/pr	\$26
6 MR16 bulbs	\$9	\$54

**Total: \$639**

#### Layout Options:



Long Space Wheel #3121. Add \$162 per turn.



Short Space Wheel #3120. Add \$92 per turn.



Acrylic Isolator #3106 \$13 ea.

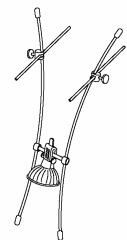


Long Anchor #3102 \$33 ea.



Short Anchor #3101 \$29 ea.

#### Upgrades: Fixture Options



Ballet #3205. Add \$26 ea.



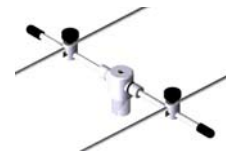
Straight Balance #3203. Add \$13 ea.



Omni Star #3207. Add \$7 ea.



Short, Long or Daddy Long Legs #3201, 3202, 3206. Add \$10 ea. for Long, \$26 ea. for Daddy Long Legs



BiLine Universal Connector #3112 (allows UniLights to be attached) add \$50 ea. plus universal fixture.

Pricing & specifications subject to change without notice.